

The Journal of Borderland Research

TABLE OF CONTENTS

WHAT'S A HEALING MASTER

By Jane Brundage and Susan Bostwick, 1 -
With Editorial Comment. 1 - 4

THE GENESIS OF A NEW GRAVITATIONAL TECHNOLOGY, By J.P. Roos. 5 - 13

MONSTERS BY BIO-MAGNETISM

By Alice S. Crowdis 14 - 19

OUTWARD TO THE PLANET MARS

CQC On The Next Big Space Project 20 - 25

CLIPS, QUOTES & COMMENTS

Viking I Sniffs Mars Air, Secret Interest in
the Mars Moon "Phobos", Phobos Saved A Planet!,
Overcoming Mental Limitations With Star Trek,
Pathoclast Schematic Anyone?, The Psychological
Sequence of Carbon and Magnet, The Pyramid As
Orgone Energy Accumulator, The High Price Of
Healing Privilege In Mexico, Devices for Inter-
dimensional Communication Wanted, The Glamor of
Hawaiian Style Pagan Magick, "The Cosmic Pulse
of Life", and BSRF Literature 26 - 36

THE JOURNAL OF BORDERLAND RESEARCH

BSRF No. 1 Published by Borderland Sciences Research Foundation, Inc., PO Box 548, Vista, California 92083 USA. Edited by the Director, Riley Mansard Crabb, Doctor of Metaphysics in the Society of St. Luke the Physician.

The Journal is published six issues a year with the assistance of the Associates, at the Director's home, 1103 Bobolink Drive, Vista. It is printed, 36 pages an issue. The Foundation was incorporated under California law, May 21, 1951, #254263, and has been in continuous existence since then. Address all correspondence to the PO Box. The Journal is included in the Foundation membership of \$8.00 a year. Single copies and back issues of the Journal are now \$1.50 each. If you don't care to join you may receive the Journal by donating \$8.00 a year or more to the Foundation. The Director's wife, Ms. Judith Crabb, is office manager and Secretary-Treasurer.

PURPOSES OF BSRF: This is non-profit organization of people who take an active interest in unusual happenings along the borderland between the visible and invisible worlds. In the words of the late Meade Layne, founder and director of BSRA from 1946 to 1959: "BSRA publications are scientific in approach but employ few technical expressions. They deal with significant phenomena which orthodox science cannot or will not investigate. For example: The Fortean falls of objects from the sky. Teleportation, Radiesthesia, PK effects, Underground Races, Mysterious Disappearances, Occult and Psychic Phenomena, Photography of the Invisible, Nature of the Ethers and the problem of the Aeroforms (Flying Saucers). In the year 1946 BSRA obtained an interpretation of the phenomena which since has come to be known as the Etheric or 4-D interpretation, and which has not been radically altered since that time. This continues to be the only explanation which makes good science, sound metaphysics and common sense."

The chief present concern of the Foundation is to make this kind of unusual information available as a public service at reasonable cost. Headquarters acts as a receiving, coordinating and distributing center. An important part of the Director's work is to give recognition, understanding and encouragement to people who are having unusual experiences of the borderland type and/or are conducting research in any of the above fields. For consultation on borderland problems or for Spiritual healing through prayer, write or phone 714-724-2043 for help or for an appointment. Donations and bequests toward Foundation research programs and expenses are welcome.

The 28-page list of BSRF publications is available from Headquarters for 50¢ in check, coins or stamps. This includes brochures on borderland subjects, tape recordings of Mr. Crabb's lectures and of members of the Inner Circle, talking through trance-medium Mark Probert. Write to BSRF, PO Box 548, Vista, California 92083 USA.

WHAT'S A HEALING MASTER?

By Jane Brundage and Susan
Hull Bostwick, Editor,
"Psychic Reader"

Psychic healing masters, spiritual beings without bodies, are used at the Berkeley Psychic Institute in many healings. Beginning students and newcomers say, "But I want to use my own energy to heal myself and others, not some other spirit's energy." Beginners (un-awares) frequently already have healing guides and are misusing them. Many get trapped in someone else's energy when they give of themselves. Students are assigned these masters not only to enhance a healing but to de-mystify spirit.

"You are senior to any being whether he is a master or not," says Rev. Richard Williams, healing teacher. "Once a student learns how to use a healing master, he begins to take control over his own energy and doesn't allow others -- with or without bodies -- to invade his space."

Jane Brundage, Psychic Reader, writer and student at the BPI, asked some Institute teachers about healing masters. Here is her story. Editor Bostwick.

*

In the beginning healing classes at the Institute, each student is assigned a "healing master" (a spiritual being not in a body) as a healing assistant. Who are these healing masters, who "appear" to most of us as warm, tingling energy in our hands?

The masters come from all different levels of spiritual creation and groups. Some are guides. Some use the ability to help themselves work out personal karma by helping others. Some just want to help.

The healing masters used primarily at the Institute come from the same group as the well-publicized psychic surgeons of the Philippines. Lewis Bostwick, Berkeley Psychic Institute Director, says these beings are trained to be healing masters by "three little old ladies who are trance mediums" and live in a cave in the Philippines.

Because the masters must work through the elbow-to-hand area of the healer they assist, the healer becomes a trance medium to some degree. The healing master must then match energy with the healer in order to work together. The master uses energy from the most plentiful source to channel the healing; his own, the healer's, and the healee's are all subject to use.

A good healing master can deal with any level of healing, from

a hangnail to major surgery.

The healing that generally results is due to the re-arrangement of energy within the person being healed. Healing masters merely put the energy of the healer's body and spirit back in order again. Their success, or lack of it, is subject to how much the healee (consciously or unconsciously) will allow his energy to remain well ordered. (The orthodox Christian calls this "redemption" by forgiveness of sins, real or fancied. RHC)

YOU ARE YOUR OWN MASTER!

There are both advantages and disadvantages involved with using healing masters. The main advantage is that the healer learns to work with and control other beings not presently in bodies. This helps to establish the idea of seniority of we who have bodies over those who dont. The healer must learn to control his healing master, and to order the master out of his aura when the healing is completed. Otherwise the master, intent upon healing will be constantly healing the healer (too much of a good thing is no longer quite so good!)

Several disadvantages exist as well. If the master does wll the work, the healer himself seldom actually knows what is being done. (Though one can personally learn to heal as successfully without a healing master's assistance.) Also, each time a healer uses a master, he is turned a bit more into a trance medium, which may or may not be a desired goal of the healer.

From the healing master's standpoint, there can be disadvantages too. This being wants to heal and is dependent upon the healer he is assigned to to do this. When the healer doesn't heal, the master must stand outside his aura and wait to be called. Sometimes the master will begin to urge the healer to do some healing, but it is ultimately up to the healer in control whether he will heal or use the healing master. If the healer doesn't use the master for a long time, he will get tired of hanging around doing nothing and eventually will go away. Then he will have to wait to be reassigned or else be called upon by another healer.

* * *

The above article was from the June 1976 issue of "Psychic Reader", the newsletter of the Berkeley Psychic Institute, 2545 Regent St., Berkeley, California 94705. The Institute held a seminar on the Philippine Psychic Surgeons, July 31st. Mark and Loretta Kuder presented color films of the actual operations. The Institute holds Sunday services at 10:30 a.m. at its Church of the Divine Man.

ORDER THE MASTER OUT OF YOUR AURA

We were glad to have Jane Brundage confirm our oft-repeated contention that Spiritual Healing, Psychic Surgery, etc. are medium-

ship and that the healer (medium) is responsible for the control and use of his or her body and mind. Apparently Bostwick and his assistants are well aware that possession -- for cooperation with Spirits in a healing project -- can lead to obsession, through "pollution" of the healer's aura with foreign vibrations.

WHAT SAYS THE YADA?

Back in 1953 Associate William Liddon attended some remarkable seances in Louisville Kentucky. In December of that year he came to San Diego and, during a Mark Probert seance, Liddon asked the Yada di Shi'ite about the qualifications of the young Kentucky medium.

"Sir," replied the Yada, "with regard to the young man in Louisville, Kentucky -- as for his honesty and sincerity -- it is there. He is doing what he is doing in good faith. He has a wonderful power, and if developed further it can bring him even world fame. He can produce the same results in the light, however, if he will slowly work up to it.

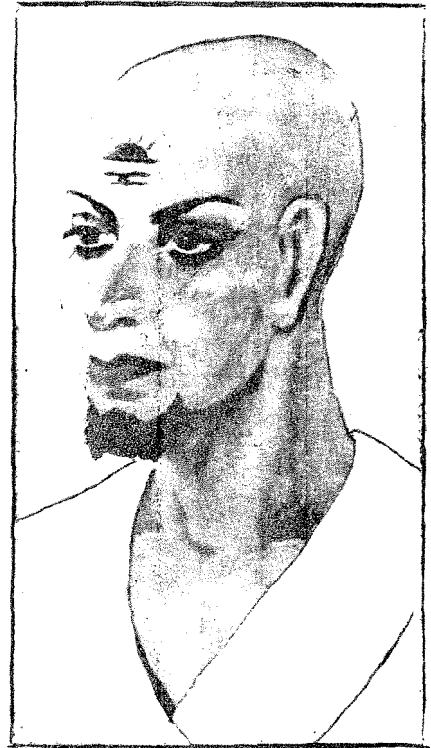
"Apports and materializations and independent voice -- he can produce all of them in the light. He has some very fine helpers with him on this side, but he does not know how to seal off his aura, and if he is not trained or advised how to do this, in the course of a few years he will become a case of obsession."

"What advice can we give him in this?"

"Before he goes into the seance room it is advisable for him to first take a bath," said the Yada. "The cleansing of water -- it is not so much for the body, but the aura; and for the vibrations he has picked up during his daily moving around.

"Then he should stand and make sweeping passes around himself, this way (the Yada illustrates with Mark's arms down straight from the shoulder and out from his sides about a foot, turning the body only, not the feet, one half turn to the right and then one half turn to the left; then hands overhead) and down, this way, circling out in space. And while doing this he should say to himself, either aloud or in mind: 'IN THE NAME OF THE GREAT WHITE LIGHT, I STAND IN A PROTECTED STATE. MY AURA IS SEALED. NONE BUT THE INTELLIGENT AND HELPFUL SHALL PASS.'

"After he comes out of his sittings, he should rest for 15 minutes, complete relaxation with the feet up, and stay that way for 15 minutes. Then he should arise and wash his hands and face



THE YADA DI SHI'ITE

in cold water. This will stimulate his pituitary gland and also cause the blood to course more swiftly through the brain, thereby cleansing him, clearing out those particles that were left there by the entities that used him."

"Are you familiar with his guides?" asked Liddon.

"No, not by name -- but I know they are a kindly, well-disposed group. But this will not protect him unless he does his part, too. We on this side can only do so much. If the habits of the medium are not of a proper kind, he will destroy all that we can do."

"I was wondering if you could get this message through to him by one of his own guides, Yada? Or could one of your Inner Circle members do it?"

"I do not know that it is understood," replied the Yada, "but I want to say to you that we cannot always contact others in the Great Mind. Your vibration must be such that I can pick it up. If it not, then you will not exist in my world. Have you heard of multiple obsessions? We have spoken of this several times through this boy. (Mark) In these cases two or more obsessing entities have possession of the same physical body at the same time, and yet none of them may be aware of the presence of the others, because they are not on the same vibrational level."

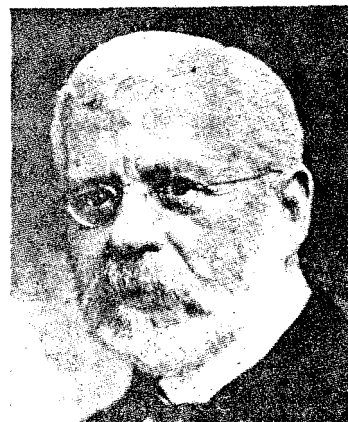
"Have you any other advice?" asked Liddon.

"Yes. I would suggest that this boy do more reading, more studying -- and his group also -- along these lines and also general reading of a constructive kind. That will help to stem the waste of energy." (BSRF 9-D, Seance Memoranda, 55 pages, 8½x11, \$2.25)

So now you have it from both sides of the Veil, Jane Brundage giving the responsibilities and problems of mediumship from the physical plane, the Yada from the viewpoint of the control on the Astral plane. They agree on the major points, especially the responsibility of the medium for control of his or her own body.

FIVE YEARS TRAINING IN BODY CONTROL

In Hutton's book "Healing Hands" we learn that spirit surgeon Dr. William Lang spent five years of earth time in the study and practice of controlling his medium's body, George Chapman, before the Lang-Chapman Healing Ministry could begin at Aylesbury, 40 miles north of London, in the late 1940s. Lang died at 87 in 1937. Lang told Hutton, in a lengthy interview while controlling Chapman's body, that he had to take a vow to stay with his medium for the rest of the medium's earth life -- as a sort of Guardian Angel. So here is a relationship that in some ways is more intimate than marriage; for the Control must actually merge with the medium.



DR. WILLIAM LANG

THE GENESIS OF A NEW TECHNOLOGY BASED ON KINEMASSIC - GRAVITATIONAL FIELD SCIENCE

by J. P. Roos Dec. 30, 1975

INTRODUCTION

In this article I am reporting a new direction in science, whose technology could surpass our present technology which is based on fluid dynamics and electro-magnetism. The underlying principles are simple and analogous to those of electro-magnetic theory. One does not have to know the Theory of Relativity to understand what follows. This is a phenomenological report rather than a theoretical analysis and is therefore bibliographic in character.

THE NEW SCIENCE

The new science deviates from conventional science in its recognition of a fourth field phenomena, co-existent with the three accepted energy fields of electricity, magnetism and gravity. Electricity and magnetism are associated with electrons and the motion of electrons. Electrons are the outer atomic particles of the elementary atoms. The seat of gravity however is found in the nucleus of the atom, where protons and neutrons reside, each of which has a mass that is 1837 times that of an electron.

The new science places the fourth field opposite the gravitational field in the same sense that the magnetic field is pitched against the electric field in the field equations of Maxwell. The same analogy holds in the macroscopic world. An alternating electron current in a copper coil surrounding a ferromagnetic circuit produces an alternating magnetic flux by transformation, i. e., when the electric field goes through the zero crossing, the magnetic field is maximum and vice versa. Similarly, an alternating fourth field will by transformation produce an alternating gravitational field.

THE HISTORY OF THE FOURTH FIELD SCIENCE

In "Electromagnetic Theory" (1893, reprinted 1950) O. Heaviside suggested for gravitation a set of equations similar to Maxwell's electromagnetic equations. This was independently carried out by J. Carstoiu (1969); Compt. Rend. Ser. A 268, page 201 & 261. In a later paper "Gravitation and electromagnetism - tentative synthesis and applications" (1971) J. Carstoiu writes: I start from the discussion of Brillouin and Lucas (1966) restated in Chapter 7 of Brillouin's book (1970). These authors emphasized the startling similarity between electrostatics and equations of a static gravity field G (gravistatics). In order to discuss non-static problems, I assume the existence of a second gravitational field, which I call the gravitational Vortex Ω ; both fields, G and Ω , are supposed to be coupled, in a first approximation, by equations similar to Maxwell's equations and obtain in vacuo a propagation velocity v_p equal to the velocity C_0 ", and: "Forward (1961) conceived a gravitational analogue to the magnetic field H , which he called the "protational field" (R. L. Forward, Proc. IRE 49, page 892)".

Other references to a new force field appear in Major Donald E. Keyhoe's article in True Magazine, January 1966, page 34, "I know the secret of the flying saucers". According to Keyhoe the secret is: Antigravity. On page 36 he writes: "Today, Doctor Hermann Oberth is willing to go further. He is now of the opinion "that energy, inertia and gravitational fields are only aspects of one and the same thing" and that it will prove impossible to separate them from each other. What he has in mind, he says, is "not yet known fields of force" which can be used to accelerate material objects in a way similar to the force of gravity." On page 95 we read: "For several years, Burkhard Heim, Director of the German Research Institute of Field Physics at Göttingen, Germany, has been searching for the answer to the gravity riddle. Finally, Heim revealed that by direct experimentation he had discovered a positive lead to antigravity. The discovery involved an intermediate field, neither electromagnetic nor gravitational".

The most outstanding contribution however to the new science has been made by H. W. Wallace. His unpublished "Theory of a Fourth Field" of July 12, 1956, is only preceded by the reference above of O. Heaviside, but is of such an unequalled depth, that it can be said to have inaugurated the new technology as well.

Wallace writes: "In establishing at this time the theory of a fourth field, this field being designated the "kinemassic field" due to its dependence upon relative motion between masses, the kinemassic field will be depicted as bearing a relation to the gravitational field somewhat comparable to that of the magnetic field in its relation to the electric field; this being a matter of relative motion. In presenting the theory of a fourth field, the existence of this kinemassic field in its relation to the gravitational field, will be considered as was the magnetic field in its relation to the electric field. The parameter of bipolarity of this kinemassic field will be developed. Further amplification of this theory in its relation to the celestial bodies and their motions will be hypothesized. Mechanical apparatus for a proposed experimental proof of the existence of this fourth field will be schematically depicted and described".

To illustrate how H. W. Wallace reduced the generation of the kinemassic field to practice between 1956 and August 1961 we may discuss the Barnett effect (Phys. Rev. 6, 239, 1915). The Barnett effect is the resultant magnetization due to rotation of a ferromagnetic body. A spinning iron disc will create a magnetic field that is proportional in strength to the angular velocity of the disc. Hence, no electric field is required to create a magnetic field. Just rotating a ferromagnetic disc will do it. The only input required is shaft drive power to spin the disc in order to obtain the relative motion of the unpaired electron spins in the rotating ferromagnetic body with respect to the observer. In an analogous fashion H. W. Wallace spun a disc of a material, whose atoms were of odd half integral nuclear spins, due to the presence in the nucleus of an unpaired proton or neutron. Let us therefore pay tribute to this researcher by referring to the generation of the fourth field or kinemassic field by rotation of odd half integral nuclear spin matter as the Wallace effect.

THE NEW TECHNOLOGY

The first basic patents that signalled the emergence of the new technology

based on kinemassic-gravitational field science were issued to H. W. Wallace on December 14, 1971 (Filed November 4, 1968):

- a. U. S. Patent 3,626,606, "Method and apparatus for generating a dynamic force field."
- b. U. S. Patent 3,626,605; "Method and apparatus for generating a secondary gravitational force field.!" These patents make very worthwhile reading: they explain the underlying theory and give a detailed description of how the experiments were designed as well as detailed information on the obtained test results. So far, the alternating secondary gravitational field generator, outlined in the patent has not been built.

S. J. Barnett did not use return iron to close circuit the magnetic flux path of his spinning ferromagnetic rotor. Unlike Barnett, Wallace maximized the strength of the generated kinemassic field by placing the odd half integral spin nuclear matter rotor in a yoke of the same material to approximate a closed circuit. The presence of the kinemassic field was measured by indium-arsenide sensors; both of these elements having odd half integral spin nuclei. Kinemassic field polarization of such elements reduced the number of freedom of lattice vibrations, resulting in an increase of its electrical conductivity and a decrease of the specific heat property of the crystal material. The latter effect is incorporated in the third patent issued to H. W. Wallace, that concerns the new technology: U. S. Patent 3,823,570; "Heat pump", July 16, 1974 (Filed February 16, 1973). The non-electromagnetic forces generated by an alternating kinemassic field were shown in an experiment described in the second patent. The time-varying forces caused an oscillatory movement of a knife edge supported rotating disc of odd half integral spin nuclear matter in the same kinemassic circuit as the alternating kinemassic field generator. Having thus shown the existence of these kinemassic field forces Wallace continues to describe in his patent the structure of a secondary gravitational field generator. See his Fig. 7, 7 a & b. Wallace explains that the alternating kinemassic gravitational fields in his closed generator configuration have a tendency to expell the gravitational field of the earth and thereby create antigravitational buoyancy. J. Carstom came to a similar conclusion. Analytically he derived the formula $E = -mC^2$, where E stands for the secondary field energy, which has therefore a negative mass equivalent.

The importance of the H. W. Wallace experiments can be summarized as follows:

1. The existence of a fourth field has been demonstrated.
2. This fourth field or kinemassic field is a result of the rotation of unpaired protons or neutrons present in many isotopes of the elements.
3. Anyone can generate the fourth field by spinning a wheel of odd half integral spin nuclear matter; no other excitation fields are required.
4. A secondary alternating gravitational field should be obtainable from an alternating kinemassic field.

Table 1 gives calculated kinemassic field permeability factors for several isotopes, as calculated from available nuclear tables, by H. W. Wallace. Recently, A. Abragam, et al, Phys. Rev. letters, 31, 776 (1973) & 33, 102 (1974), developed another method of nuclear magnetic resonance measurement, utilizing a slow neutron beam. What they call pseudo magnetic moments of

the odd half integral spin nuclei of various isotopes are the actual measured values of the angular momentum, previously calculated by Wallace. The following quote appeared in Science, 184, 152 (12 April 1974) in a book review by Douglas E. MacLaughlin, Dept. of Physics, Univ. of Cal., Riverside:

" I was particularly struck by the truly elegant demonstration of A. Abragam and co-workers at Saclay that resonance phenomena are not restricted to manifestations of the electromagnetic interaction. Their experiments show that the spin dependence of the nuclear strong interactions between a neutron beam and a polarized proton target can give rise to Larmor precession of the neutrons and other features of magnetic resonance. The consequences may be many for understanding of this most mysterious nuclear force. "

Table 2 gives the measured moments, as compiled by Wallace from published data by Abragam. The measured values differ from the originally calculated values. The differences may be attributable to the position of the unpaired proton or neutron within the atomic nucleus or merely to the nature of the experiment by Abragam, that may mask momentum because of long relaxation times of certain elements.

TABLE 2

KINEMASSIC NUCLEAR MOMENTS

<u>Element</u>	<u>Isotope</u>	<u>I</u>	<u>u^*/u_B</u>	<u>u_K</u>	<u>u_K/u</u>	<u>Percentage</u>
Cu		3/2	0.207	376.289	166	9.86
Ag		1/2	0.073	132.701	-1095	3.48
Tl		1/2	0.030	54.535	34	1.43
	H ¹	1/2	5.4	9816.2	3515	257.14
	V ⁵¹	7/2	2.1	3817.4	743	100.00
	Co ⁵⁹	7/2	2.08	3781.07	815	99.05
	Sc ⁴⁵	7/2	1.95	3544.75	746	92.86
	Na ²³	3/2	0.99	1799.64	812	47.14
	Li ⁷	3/2	0.62	-1127.05	-346	29.52
	Cu ⁶⁵	3/2	0.51	927.09	390	24.29

Au ¹⁹⁷	3/2	0.49	890.73	6190	23.33
Zr ⁹¹	5/2	0.34	618.06	-476	16.19
Pt ¹⁹⁵	1/2	0.21	381.74	636	10.00
Ta ¹⁸¹	7/2	0.096	-174.511	-75	4.57
Al ²⁷	5/2	0.077	139.972	38	3.67
Cu ⁶³	3/2	0.063	114.523	52	3.00
Nb ⁹³	9/2	0.046	-83.620	-14	2.19
Pb ²⁰⁷	1/2	0.02	36.36	62	0.95

in units of u_N

HWW/md
10-10-75

RELEVANT CHEMICAL ELEMENTS IN PROPOSED ORDER OF K. F. PERMEABILITY

CHEMICAL ELEMENT	K. F. PERMEABILITY FACTOR	ANGULAR MOMENTUM DENSITY* ($\hbar \times 10^{24}/cc$)	NUCLEI PER cc ($N \times 10^{24}$)	SPIN I	DENSITY (gm/cc)	HEAT CONDUCTIVITY	*AMD/gm ($\hbar \times 10^{22}/gm$)
Co	100.0	0.3115	0.0890	- 7/2	8.71	0.111	3.58
Nb	78.7	0.2453	0.0545	9/2	8.4-		2.92
V	77.6	0.2417	0.0673	7/2	5.69	0.277	4.25
Mn	65.3	0.2033	0.0813	5/2	7.42		2.74
Ta	62.2	0.1936	0.0553	7/2	16.6-		1.17
Be	59.2	0.1845	0.1230	3/2	1.84	0.317	10.03

In	55.2	0.1719	0.0382	9/2	7.28		2.36
Al	48.4	0.1508	0.0603	5/2	2.70	0.504	5.59
Cu	40.7	0.1269	0.0846	+ 3/2	8.93	0.918	1.42
Bi	40.6	0.1265	0.0281	9/2	9.75	0.019	1.30
Ir	33.9	0.1055	0.0703	3/2	22.49		0.47
Sb	31.1	0.0969	0.0331	2.928	6.69	0.044	1.45
Au	28.4	0.0884	0.0589	- 3/2	19.27	0.700	0.46
As	22.2	0.0692	0.0461	3/2	5.73		1.21
Ag	9.4	0.0586	0.0293	1/2	10.50	1.000	0.28
Pb	1.2	0.0037	0.0330	+ 0.113	11.35	0.083	0.03
Fe	0.9	0.0028	0.0850	0.0326	7.88	0.161	0.04
	0.2	0.0007	0.1128	0.0055	2.25	0.01-	0.03

HWW:jd

CONCLUSION

The intent of this report has been to show the way for the gravity researcher. Anyone can pick a metal of his choice out of the 118 existing isotopes with odd half integral spin nuclei and follow the approach shown by H. W. Wallace in his publicly available patents. The metals Vanadium and Cobalt are excellent candidates but probably difficult to obtain. Copper, Aluminum and Magnesium are more readily available candidates. Even water with its two Hydrogen atoms per molecule may prove to be an excellent fourth field generator.

The person who can find the time and funding to accomplish the feat of constructing and prove a gravitational field generator can certainly boast to have scored a monumental first. Many technological breakthroughs in the fields of transportation, energy and communications are then bound to follow.

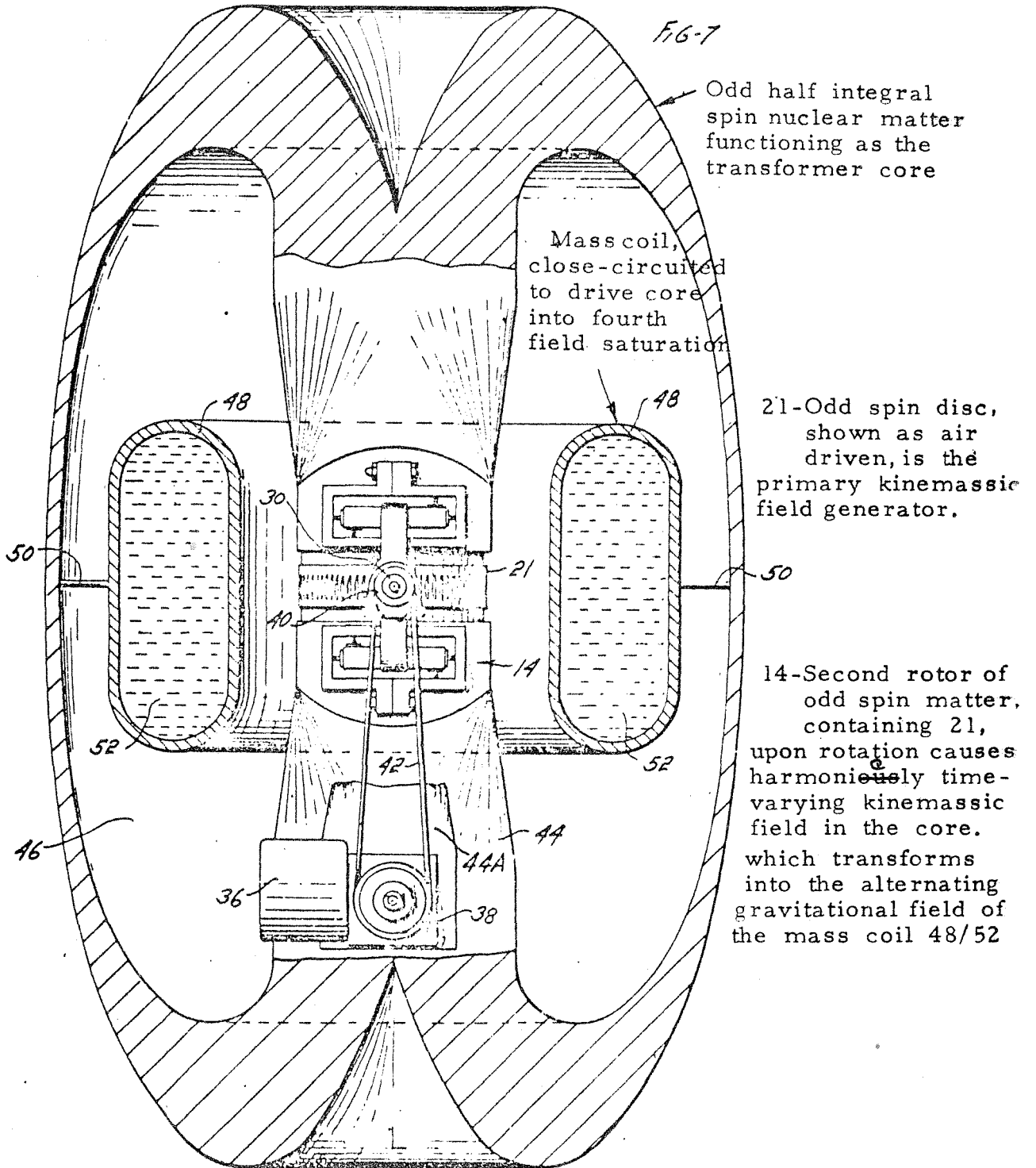
Dec. 14, 1971

H. W. WALLACE
METHOD AND APPARATUS FOR GENERATING A SECONDARY
GRAVITATIONAL FORCE FIELD

3,626,605

Filed Nov. 4, 1968

6 Sheets-Sheet 5



Odd half integral spin nuclear matter functioning as the transformer core

Mass coil, close-circuited to drive core into fourth field saturation

21-Odd spin disc, shown as air driven, is the primary kinemassic field generator.

14-Second rotor of odd spin matter, containing 21, upon rotation causes harmoniously time-varying kinemassic field in the core. which transforms into the alternating gravitational field of the mass coil 48/52

INVENTOR.
HENRY W. WALLACE
BY
Gymestvedt & Lechner
ATTORNEYS

Dec. 14, 1971

H. W. WALLACE
METHOD AND APPARATUS FOR GENERATING A SECONDARY
GRAVITATIONAL FORCE FIELD

3,626,605

Filed Nov. 4, 1968

6 Sheets-Sheet 6

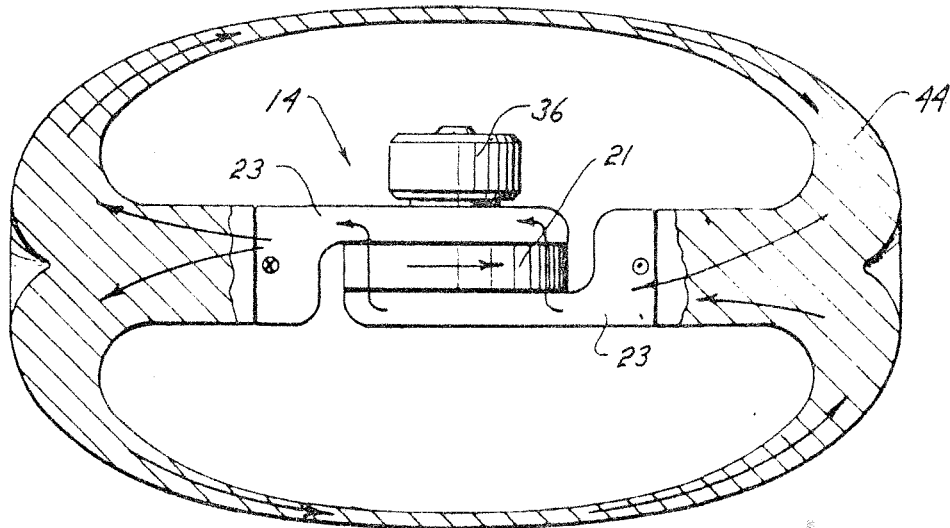


FIG-7A

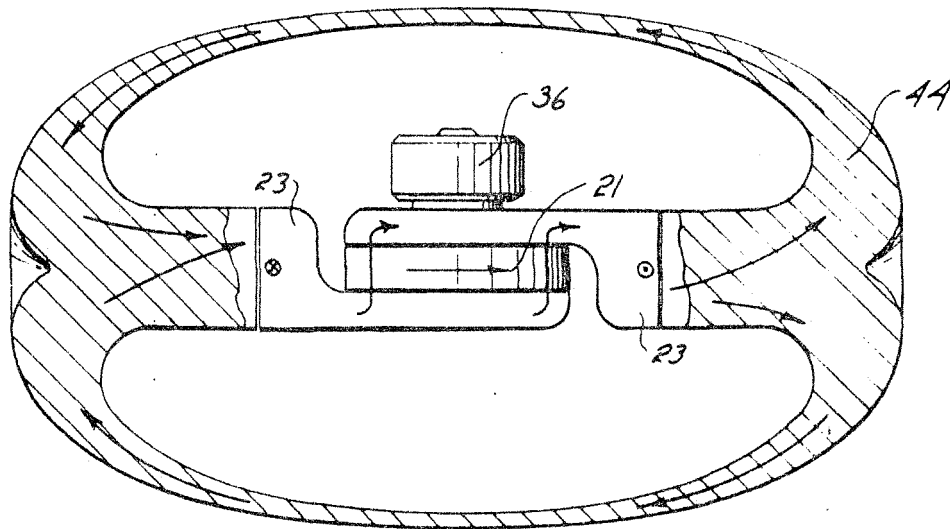


FIG-7B

INVENTOR.

HENRY W. WALLACE

BY

Symonstred & Lechner

ATTORNEY

POSTSCRIPTUM

For those that take flying saucers serious and ponder their method of propulsion I am offering the following observations. A substance, called angle hair, has been found where UFO's were present. This material however vanished quickly to those that observed it, as if it evaporated into the air. Could it be that angle hair is actually formed from water vapor in the air and precipitated in the shape of solid threads due to the presence of a strong kinemassic field near flying saucers? We have seen iron filings form threadlike chains in a magnetic field, an analogous phenomena as it should now be obvious to the reader. The rapid disappearance of angle hair can be attributed to the slow dissipation of the kinemassic field, reverting the solid polarized water back to the liquid or vaporized state. Has anyone seen angle hair leave a puddle?

One of the next kinemassic field tests should be to attempt to solidify water at above freezing temperatures.

I just read a Christmas present from cover to cover: "Beyond Earth: Man's contact with UFO's", by Ralph Blum with Judy Blum. Chapter 10 contains transcripts from the hypnotic regression of patrolman Herbert Schirmer, that proved him to be a contactee. As much as four items in those transcripts could have bearing on the kinemassic-gravitational field technology. First, Schirmer noticed that both ladder metal and interior were strangely cold. Assuming that the craft metal was kinemassic field polarized before landing and that the field was reduced upon touchdown, the heat capacity of the metal would have been restored to a higher value, causing a temperature drop in the metal as a result of the unchanged total thermal energy in the metal. Secondly, Schirmer described a crystal-like rotor and operation by reversible electro-magnetism. Our electro-magnetic rotors are not crystal-like. A kinemassic field generator however could be, because of the large possible range of odd half integral spin nuclei elements and compounds. And what is reversible electro-magnetism? Does it imply the possibility of reversing the electro-magnetic field energy into kinemassic-gravitational field energy? Thirdly, the occupants of the saucer were alleged to draw a type of power from water. We already know that water is odd spin because of the two Hydrogen atoms in each molecule. Do they use water to create or channel kinemassic fields? Finally, Schirmer was told that all the "ships" were made from 100 percent pure magnesium. Author Blum also reports that a piece of such magnesium-purer than any obtainable by our metallurgical processes-was recovered when a saucer reportedly "crashed" in September 1957 near Ubatuba, Brazil. Naturally occurring magnesium is a mixture of three of its isotopes with the following abundancies:

Mg ²⁴ , 78.60 percent	Mg ²⁵ ; 10.11 percent	Mg ²⁶ ; 11.29 percent
----------------------------------	----------------------------------	----------------------------------

Only Mg²⁵ however has odd half integral spin nuclei. This isotope is available from Atomergic Chemetals Co., N. Y., for \$4.50/milligram in oxide powder form. Another civilization however may be less restricted in procuring this isotope and may have determined that it is the best metal for this kinemassic field application.

A final, possibly too far fetched, speculation pertaining to the kinemassic-gravitational fields is that the oceanic water vortex of the Bermuda Triangle constitutes a nearly critical fourth field generator, capable, in its supercritical state when it occurs, of disrupting the normal gravitational field within physical objects, that are nearby.

MONSTERS BY BIOMAGNETISM

By Alice S. Crowdis
From "Uni-Com Guide" and
"Psychic Reporter"

Do you remember Weirido, the Super Chicken? He was in the news about three years ago. (San Francisco Bay area?) Weirido was a 22 pound heavyweight, so big and rough he killed two cats, crippled a dog, and ripped through a wire fence to attack and kill his 18 pound half grown son. According to the story put out by, or for, his then 17 year old owner, Weirido was the result of seven years of cross breeding. It was just a hobby of the young man who claims he kept no record of the crosses.

Something didn't quite ring true with the story but it was nothing I could put my finger on. Then recently a friend mentioned how much Weirido sounded like the results in some experiments done with magnetism.

These experiments were written up in a book titled, "Magnetism and Its Effects On The Living System", by Albert Roy Davis and Walter C. Rawls, Jr. They also have a second book, "The Magnetic Effect", (Exposition Press). These books are the result of over 30 years of experimentation.

It seems that most of the things we were taught about magnetism were wrong. Apparently the scientific community, as is so common, is still holding to the old concepts and refusing to check into the new findings.

We all know that magnets have a North pole and a South pole. What most of us don't know is that the two poles have vastly different effects. Science has taught that there was no difference between the poles. Davis and Rawls have proven otherwise in many years of repeated experiments. A few other scientists have tried using these findings and also got reproducible results.

Russia has been doing a lot of experimentation with magnets but are not getting the same results because they still hold to the theory the poles are a homogeneous mix.

Davis and Rawls call the application of magnetic energy to living organisms "Biomagnetics". An accidental discovery in 1936 started Dr. Davis on his experiments with biomagnetism. A large horseshoe magnet was on his workbench where he placed three cardboard boxes of worms for a planned afternoon fishing trip. Unintentionally one box was placed against the North pole, another against the South pole and the third a distance away from both.

The fishing trip was cancelled and the boxes of worms remained where they were until the next morning.

THE SOUTH POLE STIMULUS

Surprisingly it was found that the worms against the S pole of the magnet had chewed their way through the box and were resting against the South pole end. The other containers had not changed. The remaining earthworms were put in fresh containers and put in the same positions next to the poles with the third box well away from the magnet. Davis anticipated that if the pole of the magnet was the cause of the worms' reaction then it would be repeated the next day. It did not happen and the worms were forgotten for other work for three days. At that time it was discovered that the worms next to the S pole had again chewed their way out. They were lying on the bench where they had lost moisture and died. Thus the phylum annelida earthworm species opened the door for further investigation and research.

In later experiments worms were put in fresh moist soil with a few dried leaves for food and in heavier containers to prevent the worms' escape. Again one marked box was put at the S pole, one at N pole and the control away from both.

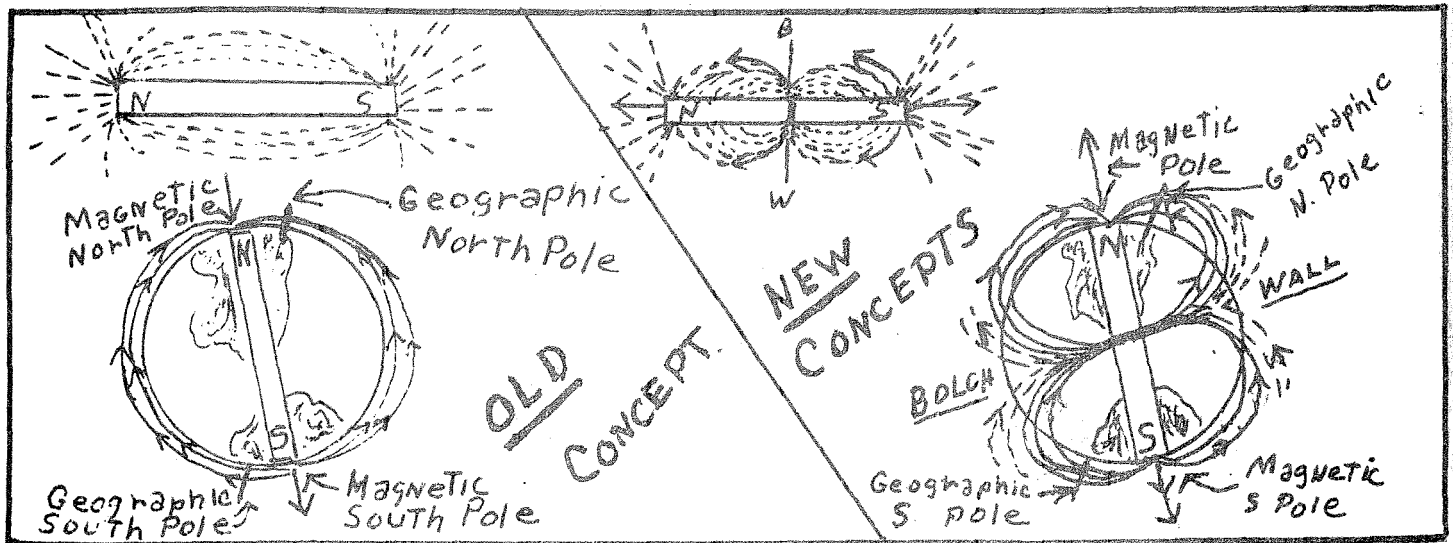
N pole worms had a different story. Many had died and those still alive were thin and showed little activity. The control worms showed no change one way or the other. Room temperature was 65 to 70 ° F. The first incident was at a room temperature 80 to 85° F.

With further experiments by trial and error it was discovered that the size and strength of the magnet and the temperature of the room contributed to the length of time for earthworms to escape.

Many more experiments were done becoming more technical in detail. Exposure time was lengthened and shortened. The horseshoe magnet was discarded because the poles were too close together. Long straight bar or cylinder magnets were used primarily. This allowed a far greater separation of the poles with more effective and definitive results. The strength of the magnet was varied from the 3,000 gauss of the first one.

A gauss measures magnetism like volts measure electricity. At present the earth's magnetic strength is about one-half of one gauss. At one time it was many hundred times stronger. Dinosaurs roamed the land at that time and died out when the field weakened.

In the old concept of magnetic flow the north and south poles were considered homogeneous (mixed and equal). Biomegnetic research has shown that the poles do not mix but flow in different directions. The S pole is positive and spins to the right while the N pole is negative and spins to the left. Right in the exact center between the two poles is a very narrow section of zero magnetism. This is known as the Bolch Wall, or the point of division of the circling vortex (spin) of electronic-magnetic energies. This Bolch Wall re-



mains in mid-center whether the magnet is broken in two forming two magnets each with two poles or several joined together to make one long magnet. You may join any number of magnets together, one N pole and one S pole with the Bolch wall at the center.

HORIZONTAL EIGHT ∞ THE SYMBOL OF ETERNITY

The energy of a magnet does not simply leave one pole and travel around it and reenter the other end. Energy on leaving S pole travels halfway around the magnet to its center. Here it enters and alters its electronic spin, taking on a reverse spin and resultant form of energy and leaves the center to continue on to the N pole. The magnetic field around the earth follows the same pattern leaving the S pole spinning to the right, enters the center doing a reverse twist, leaves the center spinning left and goes to the N pole where it reenters.

In making a visual examination of the magnetic energy, using a large cathode ray oscilloscope, it was found the energy formed a broken "8" pattern at the point of zero magnetism and reversed its spin. This pattern of flow for the earth has been verified by some of the data from NASA.

Many experiments have been made to determine just what effect each pole of the magnet has on living organisms. Hundreds were done with seeds. Again they were done in groups of three, S pole, N pole and C Control. Tests were done with exposure time ranging from several seconds to 280 hours giving a great range of effect.

Improvement was noted with S pole exposure. An increase of important proteins, sugars and oils was found. Laboratory analysis revealed from seed to maturity through many plantings and harvests the positive S pole had remarkable results. Oxygen was liberated in greater amounts than normal. Carbon dioxide intake was increased as was the acceptance of organic matter and fertilizers. Length

and size of roots was greater. Sugar beets yielded more sugar. Peanuts had an outstanding increase in oils.

An opposite effect was created by the negative N pole. A reduction of strength and energy was found. Plants were stunted and produced less than normal. Laboratory conditions were controlled to eliminate as many variables as possible.

TWO DIFFERENT TYPES OF MAGNETIC ENERGY

Therefore two types of energy were observed. N pole which arrests life, growth and/or development and S pole that increases these.

Moving next to research on small animals they focused on altering any aspect of their development. Eggs of the normal white leghorn chicken were chosen. Two dozen fertile eggs were divided into three groups. One incubator for the S pole where each egg was against its own magnet, the N pole had the same arrangement. The control group was placed well away from the other two. Each magnet had a gauss of 2,500 and temperature was kept at 80 degrees F. in the electronically controlled incubators. Eggs were turned every three hours.

Incubation was two to three days less for the S pole chicks. N pole chicks were one to two days late. Control group chicks were normal.

Watching and recording with great care their growth and development brought these discoveries. S pole treated hens and roosters grew faster and stronger than N pole chicks. They are more and near maturity took on a trend toward being cannibalistic. Their intelligence was lower in all respects than the other two groups. N pole chickens and roosters were light eaters and developed slower than the control chicks. They were sensitive to all surroundings, noises, heat, cold, wind, sun and weather as opposed to the boldness and dull thinking and reactions and overly strong S pole chickens.

S pole chickens were much larger than the controls. They accidentally got out of their cages a number of times when helpers did not properly latch them. They were found chasing dogs, cats and in one case attacked a cow grazing in a nearby pasture. The attacks were all of the same nature -- mounting or flying on the animal's back and laying it open. In their own pens when it first happened it was thought that some animal had gotten in and killed two of the hens. Closer watching showed that it was the rooster who attacked the other birds. Again mounting the back and tearing it open exposing and damaging the internal organs. Death results from the bleeding.

Back to Wierdo. He killed his son in the same manner just described. At the time the owner was on a TV talk show and alluded that there was more than just cross breeding involved. Also no one was allowed to see the breeding rooms. The picture which appeared in the paper looked like an overgrown leghorn to me. Would he really

be white if crossed with all those colors and breeds?

A young friend in discussing this article remarked that all the human cannibals he had heard about lived below the equator. Is there some kind of correlation here?

PLAYING GOD WITH MAGNETS

"It is possible to program changes of the genetic attitudes of animals, plants and insects. We can change the normal genetic growth and development to abnormal products of living systems so planned and computed by advance knowledge and planning," the authors say.

Mutants were developed in the common house fly by exposing one side only of the larva or eggs to a magnetic field. These experiments produced specimens with one large eye, one withered wing, two long legs, one short leg and one long leg, etc. The side exposed to the S pole will grow at a faster rate while the N pole side grows at a slower rate.

From work and research conducted with animals having a blood type and circulation system similar to humans, the team foresees in the near future the release of a system for the detection of nearly all human illnesses by application of the fields generated and transmitted from a magnet -- solid state or electro-magnet.

It has been found that by the proper use of the magnetic energies many ills of the human can be eased or corrected.

CONTROL OF CANCER GROWTH

Research was done on cancer using rats. The N pole of the magnet was able to halt the growth of the cancer without damage to surrounding tissue. The condition was arrested to the point where normal cells were able to overcome the breakdown effects of cancer. Additionally they discovered the negative N pole energies also strengthen the unaffected surrounding cells, generating what appears to be an increase of the natural defense mechanism of unaffected cells to combat the spread of the disease.

S pole energies caused an immediate advancement in the condition. They are positive and are similar in part of the effects of certain radiological energies being used today in an attempt to arrest cancer.

At this time there are over 100 types of cancer, and what may arrest one will not necessarily do it to other types. There has been no single agent which will combat all cancers. Biomagnetic research seems to indicate that proper magnetic treatment of cancer is a better method of treatment. While X-ray, cobalt and radioactive energy are of value they damage and poison the living system. Magnetic energy does not. In addition it helps considerably to relieve the pain.

Using willing human subjects it was found that the N pole re-

duced pain. Magnetic anesthesia can be utilized in almost all cases where pain is present. It can be used to remove swelling or excess fluid from the body. In many cases the N pole arrested infection. It does not kill infection or bacteria but arrests it so the body's own chemistry can take over and begin recovery and repair.

BIOMAGNETICS OVER ACUPUNCTURE

Biomagnetic treatment was used in a great variety of human ills with success. In comparison to acupuncture writers Davis and Rawls felt magnetism was better. With acupuncture there is no infection control. Biomagnetics has these abilities. Acupuncture is a corrective measure of limited duration. Biomagnetics has a more lasting result. It requires no entering of the body system, no miniature surgery and no battery mechanism.

Biomagnetics is a natural science that applies a natural energy to aid in the improving of the body system function.

Davis and Rawls believe they have established the relationship between magnetism, electricity, gravitation and atomic energy structures, thereby demonstrating a basis for the unification of these energies.

Before trying any experiments with magnetism you should read the books and understand them. There is danger in the misuse of biomagnetics. Much in the books could not be gone into in this article. (From April 1976 issue of "Psychic Reporter and Uni-Com Guide", \$6.50 a year, published by Uni-Com Foundation, PO Box 11716, Palo Alto, California 94306.)

"The Magnetic Effect" and "Magnetism and Its Effects On The Living System", the two books by Albert Roy Davis and Walter C. Rawls, Jr., can be obtained from the Exposition Press, 900 S. Oyster Bay Road, Hicksville, New York 11801. The first is \$6.00 a copy, the second is \$8.00. Add 50¢ for postage and handling. Albert Roy Davis lives at 520 Magnolia Drive, Green Cove Springs, Florida 32043.

Remember, most commercial bar magnets are mislabeled for this kind of borderland research, IF the North and South poles are marked. Suspend the bar magnet at the center with a string and you will find usually that the pole marked N will point North. But actually this is the South pole of the bar magnet! It has to be if it is attracted by the North pole of the Earth! Remember the Polarity principle, unlikes attract and likes repel.

So if you intend to experiment with a bar magnet in the reduction of tumors, for instance, and you have a conventionally marked bar magnet, cover over the markings and using the string-suspended technique described above, mark your magnet correctly. Then when you try stopping the growth of a tumor or the spread of an infection with the North pole of your magnet, you actually will be applying North polar current to the affected area.

OUTWARD TO THE PLANET MARS

CQC On Our Next Big Project In Space

In future generations of earthlings July 20th may well become an international holiday: July 20, 1969 the first manned landing on the Moon, July 20, 1976 the Viking Flying Saucer sends back the first pictures and data from the surface of Mars, the future home of mankind, according to the Yada di Shi'ite of our Inner Circle.

Back in 1950 our Founder-Director, Meade Layne, and other sitters at the Mark Probert seances in San Diego, California were more concerned with the atomic testing program and its possible disastrous effects on humans and the earth itself. In the June 22, 1950 seance report they were questioning the Yada di Shi'ite.

"Man brings his own downfall by being so sure of himself," said the Yada. "He is really not sure of himself; he loses sight of his true inner workings of life and sees only outer activity. While he is not aware of it, the inner starts to collapse, taking the outer with it. But to go back to the effects of the planets upon man. All of these bodies have some effect, the moon having the greatest upon the physical part of man. Some of you, I think, understand what I am talking about. The sun has a tremendous effect upon the individual; the intensity of the heat for some causes great agitation in the individual. . . ."

"Also we must remember that the nucleus has an electronic field. One cannot say that the nucleus is something in itself, for it too is made up of parts, but they are so bound together, not necessarily in density but in structure, that the act of breaking up that structure creates and lets loose a tremendous power of energy of a type the first flash of which would cremate you."

"Is that theoretically possible for our science?" asked Meade.

"Yes, sir," replied the Yada, "but sir, living itself is dangerous, so why speak of other dangers? But it is an extremely dangerous thing to do.."

"Can you tell us of the Uranium atom, with regard to disintegrating the nucleus of other atoms? Is that possible?"

"Yes, it will -- for Uranium on account of its weight carries a very high octave of sound. The pressure used to project it at another atom has to be much greater than other 'matter bullets'."

"It would have to be accelerated by something like a cyclotron, beyond what the present cyclotron can do?" asked Meade.

SETTLING A SPACE MANSION

"Yes, you would have to go beyond what your cyclotrons can do now," replied the Yada, "but not what they will be able to do soon. Your scientists are on the verge of discovering the nature of all matter. In your holy book it is said, 'In my Father's house are many mansions', and 'I go to prepare a place for you'. Out in space there are many mansions and when man finds and settles, even to a small degree, another planet that is livable according to his capabilities, then and then only will your earth be destroyed completely."



THE YADA

"Are you speaking of man doing this in his physical body?" asked Meade Layne in amazement at this prophecy.

"Yes -- and I do mean another three-dimensional planet."

"You foresee such a thing?"

"Yes, I do -- and we of the Inner Circle feel it is not too far distant, though we do not like to speak of time because the nature of our time is so different."

"Will there be a method of transportation between the earth and the other planet?" asked Dr. Cosman.

"There will indeed, sir."

"The atomic-powered ship is already a reality," said J.M.

"If man is a reality, as I assume we all are," observed the Yada, "then everything is a reality."

(From BSRF No. 9-A, Seance Memoranda from the Inner Circle, \$2.25)

26 years ago the Yada wasn't at liberty to disclose the planet to be colonized by man, but in the 1960s seances he didn't hesitate to name the planet Mars as the target of our space program beyond the Moon.

LIFE ON MARS

Months earlier, in September 1949, the Yada was questioned about the Red Planet.

"Is there life on Mars?" asked a Robert Gardner.

"Sir, when you say 'life' are you referring to man's life?"

"I should have said, what is the life, if any, on Mars?" replied Gardner.

"There is a small amount of vegetation, and a small amount of water -- vaporous -- what you would call a fog -- not human or animal life as you would



RAMON NATALLI

think of them," said the Yada di Shi'ite.

"Have you been there?" asked Gardner.

"Now, I would not like to say whether I have or not, lest someone point a finger at me and say, 'There is a man who says he has been to Mars'."

"Are there other planets than those within our physical sight?"

"There are on what I would to call the Etheric plane, the High and the Low -- there is a great deal of life, of many sorts of shape and form. Were you referring to the Lokas or the points in space and time where there are actual planets?"

"I referred to the latter," replied Gardner.

"Friends, there are worlds within worlds. They are endless."

(From BSRF 10-F, Seance Memoranda from the Inner Circle, \$2.25)

MARS-PHYSICAL AND MARS-ETHERIC, THERE IS A DIFFERENCE!

At the Probert seance of Feb. 2, 1950 the Italian astronomer, Ramon Natalli, came through to speak of the Red Planet: "Good evening, I am Ramon Natalli. It has been some little time since I spoke with you through the boy; and I am somewhat out of practice; but I wanted to talk with you a little this evening on several subjects. This year, your astronomers are going to witness much planetary activity."

"On our planet or in the heavens?" asked Meade Layne.

"I mean the heavens."

"Already some has been observed on Mars," observed Meade.

"There will be some also on Venus," said Natalli.

"Would you care to speak of what looked to us like a great explosion on Mars a day or so ago?"

"It was -- a great and terrible explosion. It came from a gigantic volcano that has not been active for hundreds and hundreds of years. There was an eruption over some 9,000 miles of land, and a terrible quake."

"Were there inhabitants who were injured or killed by it?" asked Harriet Foster.

"Not inhabitants like yourselves," replied Ramon, "but life forms of a lower nature. There has been some talk of sky-phenomena, about things that fly in your skies; some seem to think that these come from Mars or Venus -- they do, but not from the terrestrial Mars or Venus. There is around every planet -- and for that matter around every body in the vast heavens -- an Etheric world. These bodies govern, or are governed, by those in the Etheric world. They are under their direct and watchful eye."

"Are you saying that what we call the planets Mars and Venus

are under the control of their Etheric counterparts?" asked Meade.

"Yes, they are," replied Natalli.

"And is that true of our planet?"

THE FOURTH DIMENSION ORIGIN OF THE FLYING SAUCERS

"Yes -- these intelligences, I believe, some of you call the Group Soul. It is not too good an expression; it does not explain things," said Natalli.

"Would you say that all of these skycraft come from the Etheric region of some particular planet?" asked Layne.

"I most assuredly would," replied the Italian astronomer.

"And will you tell us which planet?"

"I think, Venus -- In fact, those who constructed these so-called 'disc ships' copied the design of their craft after the body Venus with its outer vibrating disc or ring."

"Are we to infer that the disc-type of craft came, then from the Etheric region of Venus?"

"Yes."

"And the others come from other planets? Mars, for example?"

"Yes, from the planets -- "

"And our Earth, from the Etheric region of our Earth?"

"They must pass through the Etheric region of your Earth, of course," said Natalli, "and to do so must have the permission of the Etherians. Each comes from its own particular rate of vibration, which is an unseen pattern of the seen body."

"So, although it is not correct to say that some of the craft come from Mars, it is correct to say that some of them come from the Etheric duplicate of Mars," observed Meade.

"Yes, that is correct," replied Natalli.

"Do they come from all the planets of our solar system?"

"Yes, they come very readily. These craft have often crossed what you call the Milky Way."

"That means the distances they travel are thousands of light years -- how can that be?"

"I think my honorable colleague, Rama Ka Lo, tried to point out that these craft are not what may be termed a solid. Their solidity is formed according to where they are going, what their mission is, and the particular body in the heavens which they are approaching. As they come into the sphere of attraction of that body, they have to make their vibration conform to that of the body."

A guest asked a question about the comparative weight.

"Yes, small particles weighing very little on one planet might weigh a ton on another," replied Ramon.

NO "HERE", NO "THERE", ONLY "NOW".

"May I ask something else about these Ether Ships," said Meade. "Suppose one of these craft leaves say, Arcturus or Orion and transits into our Etheric -- what is it that passes? It is not any stuff that we know about."

"Most assuredly not," replied Natalli. "It is matter so formed that its -- shall I say behaviorism, its motion pattern can be and is driven at the speed of light and beyond. Light is not the fastest thing. You say light travels at 186,000 miles per second; add 500 to that and you will have it yet closer. Yes, under the direction of the -- for want of another word -- operative force of the mind, here and there do not exist. 186,000 miles and then I say 500 more a second! Doesn't that prove that it is an ever-continuing now? Can anyone conceive of such a speed, really? But still you lay down a law, and all your people learn that law. Of course, you must have a theory of some kind; but to be dogmatic, as some of your scientists are, about any law, shows lack of intelligence on the part of that scientist. Sir, if there was nobody here and nobody there and this was a vast void, where would here and there be?"

MORE ON THE EXPLOSION ON MARS

Four months later, June 15, 1950, Ramon Natalli came through Mark again: "I want to remark upon the great mist. Will you please wait until I collect my thoughts. That mist does not come from eruptions upon our earth. It comes from those that have been going on upon Mars. The rising of tons and tons of matter of the terrestrial Mars was not spewed in the sky for a mere sixty miles. There have been eruptions on other heavenly bodies also, including Venus and Saturn. Such mists have come to the earth before. Also, the blowing up of Krakatoa many years ago affected the atmosphere of many heavenly bodies."

"This mist contains a high percentage of salt, according to the analyses we have at the present," observed Meade Layne.

"Which would lend the idea that it came out of a volcanic sea action," said Natalli.

"That thought did not occur to me," replied Meade, "but I thought it might come from a submarine sea action. Could you tell us anything about this? How it might have happened?"

"Sir, there are great, great salt beds on Mars," said Natalli.

"This body of vapor tended to cohere in some way?"

"Yes," said Ramon. "Drifting earthward it followed its chemical affinity of salt water, the oceans of the earth. I believe that the greater part of this mist hangs over your oceans."

"Over the largest areas of the Pacific," replied Meade. "It seems to be breaking up at present. We have been having quite a bit of mist, more than ever before."

Your present director of BSRF remembers this salt mist very well, as he and Mrs. Crabb were living in Honolulu, Hawaii at the time. The mist hung over the Islands for days and fog and mist at sea level are very unusual in Hawaii. A Japanese astronomer announced the observation of a great eruption on Mars at the time, but orthodox science could not envision a vast cloud of salt mist traversing the hundreds of millions of miles of deep space from Mars to earth in such a short time. (There is no time in space!)

"There will be other forms of terrestrial phenomena within the next few months," said Natalli.

"Can you say anything about their nature? Seismic disturbances?"

"Yes, and changes in the sun."

"In the sun?"

"Yes, electromagnetic. They will create quite a few electrical storms," said Natalli.

The Feb. 2, 1950 quotations from Natalli are from BSRF 10-H, of Seance Memoranda from the Inner Circle. The June 15, 1950 quotations are from BSRF 10-K, \$2.25 each. Here is an earlier one from BSRF 8-D, June 18, 1948.

"As I said some time ago," observed Ramon Natalli, "it will be found through this big telescope that you now have (the big, 200-inch Hale telescope had just been completed on Palomar mountain, California) that there are no canals constructed by what you call intelligent beings on Mars -- that these are giant cracks in the earth, cracks the size and many, many times larger than your Grand Canyon."

"That theory has already been advanced here," said Meade.

"But there is a form of life there -- a low grade of vegetation, lower than your moss."

"Is there no life there corresponding to our vertebrates or mammals?" asked Meade.

"No."

"What about the other planets, have they any forms of life?"

"I do not care to make statements of that kind. It is something of a waste of breath. It is like telling a child who has been taught that there is a Santa Claus that there is not; he must wait to develop further before he can accept the change. Not that you are lacking in intelligence -- but it is best to avoid controversy; it is best to stick to subjects that are helpful. . . ." (BSRF 8-D, 63 pages, \$2.25)

CLIPS, QUOTES & COMMENTS —

VIKING I SNIFFS MARS AIR, IT'S BREATHABLE.

Pasadena, California, July 27, 1976 - "Viking I instruments reported yesterday that Mars has an atmosphere that project scientists believe is 'encouraging to the search for life but by no means conclusive'. An atmosphere 'sniffer' on the Viking landing craft detected: carbon dioxide, 95%; argon-40, 1 to 2%; oxygen, 0.3%. The atmosphere is less than 1% of the density of the earth's. On earth the air is 78% nitrogen, 21% oxygen, 0.9% argon-40 and .03% carbon dioxide.

"Dr. Tobias Owen, a member of the project science team (at Jet Propulsion Laboratory), said there is 'nothing in it dangerous to life as we conceive it, and in fact if it had more oxygen we could safely breathe it'."

So now we have proof there is a Mars atmosphere which could the support the primitive form of vegetable life referred to by Ramon Natalli in the Probert seance. But if Mars is to be colonized by Earthians, as prophesied by the Yada di Shi'ite, we will have to carry our atmosphere with us, just as we do on trips to the Moon. Do you suppose that if Mars dust could transport itself to Earth in a matter of days through the "here-and-now" of space, that earth scientists could transport some of the earth's atmosphere to Mars by the same principle?

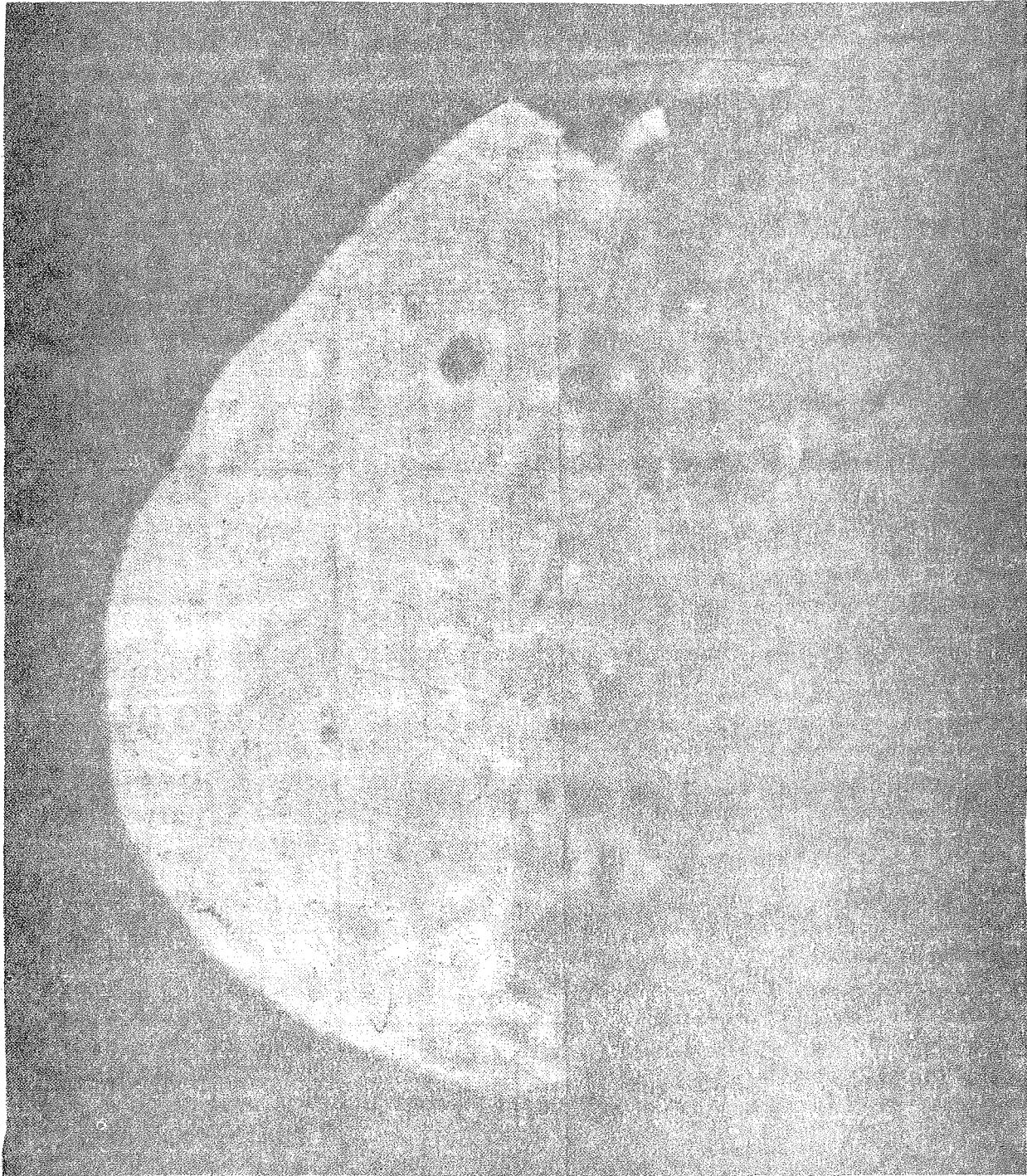
SECRET INTEREST IN THE MARS MOON "PHOBOS"

"This information was given over the Australian Broadcasting Commission about a month ago (at the end of June). An unusually searching inquiry conducted in interviews of three different British, American and Australian scientists disclosed that the postponed July 4th landing on Mars of US Research rocket Viking I was only partially caused by the surprisingly different surface structure of our mysterious neighbor, Mars.

"The interviews indeed disclosed that the American Space Agency had been asked to divert the space probe so as to be able to take a few close-up photos of Mars' larger moon, Phobos. It transpires that the latest investigations of the Great Pyramid at Gizeh have found a mind-boggling relationship between the structure of the pyramid and Phobos, so much so that it is now assumed that superior intelligences have constructed a counterpart to the pyramid on Phobos -- which in fact contains the key to the prime purposes and functions of Gizeh! The radio feature went so far as to presume that the extraterrestrial intelligences responsible for the construction of the Great Pyramid at Gizeh and similar ones in Mexico emi-

grated from Mars and found a final refuge on the moon Phobos, where a monumental structure similar in character to the Gizeh pyramid would be found."

Ms. P.D., Auckland, New Zealand



MARS MOON—The Viking orbiter returned this picture of a heavily cratered side of Phobos that

was not seen by Mariner 9. The larger crater at the top measures about three miles across.

NASA photo from Jet Propulsion Laboratory

PHOBOS SAVED A PLANET!

If there is a Martian pyramid in the photo of Phobos on the preceding page it could only be the pyramidal shaped "peak" in the crater at the top right of the photo. The picture was published in the Los Angeles "Times", July 28, 1976. Phobos is about 17 miles in diameter and irregularly shaped, as though thrown together in a hurry. Earlier pictures of Mars, and of Phobos, were returned by Mariner 9, which went into orbit around Mars on Nov. 13, 1971

Ric Williamson and his UFO research group got this interesting information about Phobos, via ESP, Aug. 17, 1952, 8:25 p.m. at Prescott, Arizona, USA: "I am Zo, I am head of a Masar (Mars) contact group, but my home is Neptune. . . 'To apples we salt we return.' You may not understand this strange saying now, but someday you will. It is from our old prophecy legends.

"Rites will save your people. We are here to warn you. If there is dissension among you we will not contact you. Be calm and quiet! We have only love for all men. We hold certain councils on Uranus (Uranus Etheria, of course). We must now decide what to do about your planet Earth. Your bombs will destroy Universal balance. Your Hydrogen bomb could make an asteroid belt out of you. This happened many years ago to planet of the fifth orbit (Maldek).

"We knew what they were doing but we didn't interfere. We cannot stand by and see another waste. After their (Maldek's) destruction there were terrible disasters on Mars. Great volcanic eruptions took place. Many of our people perished. We would have been thrown out of the Solar System and lost if we had not quickly constructed two artificial satellites. Some of your scientists have noticed that Phobos and Deimos reflect too much light to be made of earthly substance. They are right. They are metallic in nature. They readjusted our unstable condition and saved a planet. Zo speaking. Peace to all men everywhere." (From page 50 of "The Saucers Speak" by George H. Williamson and Alfred C. Bailey, New Age Publishing Co., Los Angeles, 1954)

OVERCOMING MENTAL LIMITATIONS WITH "STAR TREK"

"I really appreciated your analysis of the Star Trek phenomenon and the ideologies of the author, Gene Roddenberry. I must agree, the series offered some exciting new horizons and was one of my favored TV programs.

"I was not aware of its expanded viewing under syndication nor of the author's profound philosophies. There is no doubt that the author will evolve to greater prominence as the fictional episodes become realities. Nearly any educated person is aware of the physical limitations that have been overcome, such as the Sonic Barrier and the Thermal Barrier; and the measurement of G (gravity) forces in excess of norm, as Mach 2, 3, etc. Thus it becomes a bit of realism to hear orders for changes in velocity from the norm, Warp

2, 3, etc. No wonder young minds are being inspired to meet this challenge. Move over Albert, we are coming up with some facts.

"I am also very much intrigued with the break-through by Trevor James Constable with his UFO photography, based on the concept of light and color polarity by Goethe rather than the Newton standard. Goethe's concepts make sense in the modern mode of propagating electro-magnetic energy. You have to have the whole (plus & minus) spectrum to detect it at the receiving end, otherwise it is garbage. As you know the intelligence (audio & video) resides on the envelope of the carrier frequencies. In the case of a single side-band operation it requires a receiver that reconducts the missing side-band, before detection to make it coherent for the receiver.

"What Trevor James appears to be doing with his 18A filter is supplying the other side-band of light propagation, and viewing the results, I find the implications of this very exciting. Just suppose we took a TV camera into the seance room with an 18A filter attached, and a closed-circuit TV receiver. Could we get a good continuous exposure of the Departed ones attending? It boggles the mind but it does fulfill a promise of the Scriptures, visual proof! 'The dead shall rise out of their graves.' And why not? They were not dead in the first instance nor are they so now! This one small step across the 'visual barrier' could lead to a giant leap for mankind. As the saying goes, 'seeing is believing!'"

J.H.C., Chula Vista, California

The circular concept of color (Goethe) rather than the straight line concept (Newton) was also proven out in the development of Radionics over the years. In the beginning, the variable resistance potentiometers of the Abrams pathoclast turned less than half a circle. But continuing experimentation by Dr. Drown, Rogers, Hieronymus and others proved that the full-circle pot, such as the volume control on your radio or TV, was far more accurate for tuning purposes. Radiant energy comes in to us from all directions of the compass, all of the time! In occult science the sources of these cosmic energies are named as the 12 Constellations of the Zodiac; so there is good reason for the total of 12 actual positions on a Radionics rotary switch, 11 numbered positions, 0 through 10, plus the blank space between 10 and 0, in the modified Drown schematic of our Radionics brochure. (BSRF No. 33, "Radionics, the New Age Science of Healing", \$5.50) It also has a color dial in addition to the nine dials of the Drown circuit.

PATHOCLAST SCHEMATIC ANYONE?

"Do you have any information regarding the old Pathoclast radionics instrument? For the past two years we have been getting erratic results from our's, and yet we get consistently accurate results with the Radiesthetic (pendulum) methods. Currently we are unsure if the problem lies with the operator of the instrument. Using this specimen is it possible that this operator's sensitivity

could be checked? And do you know of anyone in the midwest or northeast who could repair a Pathoclast? Currently I am a student at the National College of Naturopathic Medicine. It is my hope to be able to use the most effective diagnostic and therapeutic methods available. Any help you could offer regarding Radionics would be greatly appreciated."

L.B., Rochester, New York

The erratic operation of your Pathoclast could be due to corroded connections in the wire circuitry. Most Radionics machines are now 20 to 30 years old or older. We dont know of any one in your area who could check this out for you. Another reason for erratic operation would be failure to thoroughly purge the machine of vibrations of one subject before proceeding to the analysis of the next subject. This most important aspect of operations is covered in the Radionics brochure which you have ordered. We dont check peoples' sensitivity here but if you are using a pendulum regularly you have enough sensitivity for Radionics operation.

It is also encouraging to learn that as a student Naturopath you are using Radiesthesia and Radionics in your diagnostic work. We know of no better way of getting behind the Veil of the flesh in the search for the physical causes of people's ailments. Couple this kind of penetrating diagnosis with Homeopathic and herb remedies and your work is sure to be of benefit to those who come to you for help.

THE PSYCHOLOGICAL SEQUENCE OF CARBON AND MAGNET

"What psychological sequence takes place in the absorption of carbon-magnet energies? And through what process? Resonance? Please send me all your information about your research into carbon arc phenomena. Do you sell carbon-arc rods? At what price? What techniques are used? Have you pinpointed the piezoelectric/secondary electric/electro-static energy imparted by the arc carbon? What is the hardening process mentioned in the Rejuvenation chapter of 'The Secret Power of Pyramids' by Schul and Pettit? Do the arcs require recharging? How? Are rods of magnetized iron used, too? Also send me general information about your Foundation. I'll pay postage. If you dont sell these rods, who does? Does arc carbon have a crystalline structure?"

D.C., Lewiston, New York

The psychological result of the carbon-magnet circuit through the body is an extra charge of nerve energy which can be used in whatever work is at hand. The process takes advantage of the body's capacitance rather than its resonance. You can buy a 1x4" carbon rod from us for \$1.50, though you should be able to obtain rods from a welding supply company in Lewiston. Our "Magnetic Vitality" brochure is \$2.25. This will tell you most of what we know about this

ancient and honorable formula for increased vitality. All physical substances are crystalline in structure, including carbon; so the piezoelectric effect must be common to all to some degree -- even if the effect does not register on meter instruments. The carbon-magnet effect does register on the finest instrument of all, the human body! Hardened carbon is powdered carbon pressed permanently into rigid form. Graphite is harder and diamonds are hardest of all. It isolates sun-power from the random mass of radiant energies around us and channels it into the body. The magnet represents moon-power, really a scavenging effect, drawing effete matter out of the body, so new cell growth stimulated by healing sun-power can take place. In terms of occult science, with carbon in one hand and magnet in the other, you are putting yourself in circuit between the Sun and the Moon.

THE PYRAMID AS ORGONE-ENERGY ACCUMULATOR

"The article on constructing a pyramid by Dean Hardy in your July-August 1976 issue prompts this letter. The alternations of conducting and non-conducting materials (or organic and inorganic layers) make Hardy's pyramid, in effect, an orgone-energy accumulator. Such an apparatus will accumulate energy within the enclosure to a degree higher than the atmospheric energy, as Wilhelm Reich's pioneering research demonstrates. (See his book, 'The Cancer Biopathy', Noonday Press, N.Y., republished in 1973.)

"Dr. Reich warned against using metals other than iron in the accumulator; and he specifically warned against aluminum for human use. Also, the orgone-energy accumulator (or accumulator-pyramid) should be ventilated with suitable airspaces. In addition, many precautions must be observed. For example, one should not use an ORAC (orgone-energy accumulator) if one is taking medication or has recently received X-rays. Secondary forms of energy, such as given off by TV sets, fluorescent lights, high-voltage equipment, etc., react strongly with the atmospheric orgone energy and produce a highly excited form of energy Reich called 'oranur'. Oranur is also always produced following nuclear detonations anywhere on our planet. Thus the user of any such device should ground it via hollow, flexible electrical (armor) cable into fresh water (a 5 or 10 gallon vessel will do) changing the water prior to each use.

"If this is not done, the user may become quite ill. (The interested reader is referred to my own book, 'Orgone Energy--The Answer To Atomic Suicide', Exposition Press, Hicksville, N.Y., 1972, which contains significant material relating to this subject.) Without the proper study and knowledge, Mr. Hardy and the son he mentioned may find that the desired effects will not occur, and the results may be quite the opposite of what is anticipated."

Jerome Eden, PO Box 34,
Careywood, Idaho 83809

Sept-Oct 1976 RR, Page 31

THE HIGH PRICE OF HEALING PRIVILEGE IN MEXICO

In the July-August 1976 Journal we published a letter from an Associate to us about the Filipino Psychic Surgeon, Rev. Feliciano T. Omiles, working just across the border in Tecate, Mexico, inland about 30 miles from San Diego, California. Now we have this followup from the healing medium to another Associate:

"I just received your letter as I have moved to Costa Rica. Newspaper reporters found about my work in Tecate and as a result the Mexicans were demanding \$10,000 more for me just to be able to continue working! I had paid them \$1 - \$2,000 every week, and still they demanded more. So I have moved to Costa Rica where we can work in peace and not have to charge people -- only on a donation basis. When we have our church well established and are ready to do healing, a letter will be sent out. Thank you for your letter, and I will have a friend mail this from California, as I have many U.S. stamps left. God bless you."

Feliciano

Mrs. Crabb and I met Feliciano and his assistant at a medical clinic in Playas de Tijuana two years ago, when he was offering free classes in Psychic Surgery technique. His assistant, a Seattle gal separated from husband and family, told us that Feliciano had come to America to make enough money for the building of a healing church in the Philippines. But the Medical Authorities here on the Pacific Coast are adamantly opposed to interlopers coming into their private preserve and lessening their own "take" from the medical racket. So, Feliciano was harassed with legal actions which stripped him of over \$25,000 in lawyer's fees, fines, etc., in Washington and California. He finally fled to Tijuana. He could obtain no work permit there for his talents, and could only operate as a member of the staff of a legitimate doctors' clinic in the beach area of Tijuana, Mexico; but even then Feliciano found that the bribery had to continue. The Mexican Medical Authorities are just as greedy of power and privilege as their Yanqui counterparts. And in having to charge fixed fees for his services he was violating one of the basic tenets of Psychic Surgery; so, all of his high earnings were taken away from him as fast as he accumulated them -- a lesson which has finally gotten through to him, apparently. judging from the above letter.

DEVICES FOR "INTERDIMENSIONAL" COMMUNICATION WANTED

"Please find enclosed my \$8 donation for membership in the Foundation and the list of BSRF publications. (Journal subscription is now \$8, by the way, largely because of the latest jump in Third Class postal rates!) As research director for the Survival Research Foundation and research chairman of the Spiritual Frontiers Fellowship in the D.C. area, I am coordinating research into the paranormal voice phenomenon on a national scale as well as leading a local research team. Although we have continuing rudimentary contact with a nonmaterial level, which is exciting by itself, our

objective at this point is to improve reception through developing the instrumentation. Enclosed is a copy of my 'Guide for Detecting Paranormal Voices', which has been published in 'The Psychic Researcher', the 'INFO Journal', and will be included in Susy Smith's latest book 'Voices of the Dead?', to be published by NAL later this year.

"Having come across a reference to the Hermes Communicator, Hidden World Receiver, and Zwaam Ray Apparatus on page 33 of the Jul-Aug 76 'Journal of Borderland Research', I would appreciate your indicating on the List of BSRF publications those containing useful references to these and similar devices for 'interdimensional' communication. I would also like to correspond with anyone who has constructed and successfully used any such devices. Any help you can provide in this regard would be a major contribution to our research effort. We would be happy to keep you informed of our developments.

"The article 'High Altitude UFO Photography' by Trevor James Constable in the Jul-Aug 76 JBR was positively fascinating. I would like to suggest to Trevor that he use his photographic techniques to try to capture the human aura. This might be tried 1) in sunlight with the subject framed against a flat black background, sun behind the camera; 2) in a darkroom with the subject framed against a flat black background and illuminated only by a long-wave UV lamp from behind the camera; 3) same as 2) except that the subject be illuminated indirectly from behind (between subject and background); 4) same as 2) and 3) except that the background be flat white. If Trevor follows through with these suggestions, I would like very much to be advised of the results."

Davis N. Peck, PO Box 142,
Vienna, Virginia 22180, USA

About all we have on Interdimensional Communication with mechanical aids is in our "Project Hermes" brochure (BSRF No. 12, \$2.00) and a few scant references such as the Zwirin material in the last Journal. We built and tried out the crystal diode detectors diagramed in Konstantin Raudive's "Breakthrough; An Amazing Experiment in Electronic Communication with the Dead" (Paperback, Samuel Weiser, Inc., 734 Broadway, New York NY 10003, \$1.75 + 25¢ postage and handling). This was only after prodding by a San Diego doctor Associate who wanted to get in touch with his dearly beloved, and recently departed, secretary; but the prospect of spending hundreds of hours straining to hear an occasional phrase in the background noise of miles of recording tape soon cooled us off. We already have hundreds of pages of marvelous, clear communications from the so-called dead in the Inner Circle material through Mark Probert, and dozens of these tapes crying for transcription into the printed word. Our time would be better spent in this area while we leave the drudgery of mechanical communication to the dedicated scientists. Raudive's book gives you a clear picture of what is involved there.

Unless you are a born medium with psychokinetic powers like an Uri Geller or an H.P. Blavatsky, it will take hours and hours and hours of dedicated practice to develop the etheric communication bridge between yourself and the spirits you want to contact, or who want to contact you. I don't believe the principles of mediumship can be or have been abrogated by the development of electronic recording and communicating equipment. Dr. Puharich learned this the hard way in his research project on Uri Geller. The controlling Spirits dematerialized cassette tapes of their spoken communications with Puharich and Geller as soon as they had served their purpose!

Peck's five-page summary of Paranormal Voice Tape Phenomena is excellent and should be a good article in an upcoming Journal. We have forwarded a copy of his letter to us to Trevor James.

THE GLAMOR OF PAGAN MAGICK, HAWAIIAN STYLE

"Do you know of any good book on the Islands? From native people to the present day? My wife and I visited Hawaii last fall, a three week trip to all the Islands. Wonderful. Terrible what the white man did to the native Hawaiians. Give us more recommendations on books. I wish we had a journal from you every week. Again I request that you give us data on Sacrifice, old and recent, and the importance of it. Witches (ordained) use it all the time in some manner or other, and I believe that they have important knowledge. Imagine ME giving a talk to High School students on Witches last winter. This by request."

H.S., Wichita, Kansas

We have more than enough material here to put out a Journal of 36 pages every month, but it would require a staff and money to pay salaries. Max Freedom Long's "Secret Science Behind Miracles" is still probably the best analysis, by a white man, of the basic principles of Hawaiian magick. To learn the magick at first hand you would have to apprentice yourself full time to a Kahuna, if you could find one, and he was willing to teach a Haole. Pagan magick is ruthless, brutal, earthy. You can get a good idea of what such an apprenticeship is like by reading the Don Juan trilogy of Carlos Castaneda, an American college student who apprenticed himself to a Yaqui indian adept of northern Mexico. Remember that the goal of the Pagan magician is not Love, not Wisdom, but Power. You won't find the word love in any of Don Juan's teaching. Nor will you find it in the teachings of an even more famous Pagan magician, Gurdjieff. Probably the best exposition of Gurdjieff's system is in Ouspensky's "In Search Of The Miraculous". But don't just read it. Study it! Underline the most important ideas in each paragraph, with different colored pencils. Then draw off those ideas in your own words in an outline. This sacrifice of time and effort is the mental approach, the white man's approach to Pagan magick. Ouspensky learned that in Gurdjieff's drive for power the Pagan magician sacrifices others to his own ends. When Ouspensky got tired of being used he separated from his teacher.



The Pagan magician develops his physical will by endurance through suffering. The best current, modern examples of such sacrifice are the Olympic athletes. They now face another four years of daily, three to six hour workouts. Find one in Wichita if you can and work out with him or her every day for the next four years. At the end of that time you may not be able to "walk on water" as did Jesus; but perhaps you could safely accompany our BSRAssociate, Komar, in one of his exhibition fire walks. Here he is at the left, doing this advanced example of Pagan magick at Dallas, Texas, August 7, 1975. I call this Faqueerism. This is the first of the Four Ways for man explained by Gurdjieff to Ouspensky, and in our Cabala lesson series, "The Invisible Reality Behind Appearances". Part I of this Series, (BSRF No. 24-A, \$3.25) has a chapter explaining the difference

between the Pagan, the Mystic and the Hermetic or Middle Way.

The Christian magician develops his or her physical will in unselfish service to fellow humans and animals. An outstanding example of this is the late Albert Schweitzer, operating his medical clinic at Lambourene in the Belgian Congo, more than six hours a day and more than four years. No doubt there are clinics for the physically disadvantaged there in Wichita, Hugo; so you dont have to go to Africa, or to Hawaii. Unselfish service at one of these will develop both your physical Will and your Love. From the union of these two Cosmic principles will come Wisdom, which passeth all human understanding.

"THE COSMIC PULSE OF LIFE"

Trevor James Constable's magnificent opus on "The Revolutionary Biological Power Behind UFOs" is finally off the press and in hand. It is a thick paperback, \$5.95 a copy, published by Merlin Press, PO Box 12159, Cal. 92712. 400 pages of text, 15 pages of pictures, and 10 pages of index, most welcome to the earnest Flying Saucer researcher.

Trevor is unstinting in his praise of the work of Dr. Ruth Drown, Dr. Wilhelm Reich and Dr. Rudolf Steiner as giving him an understanding of the biological power behind the UFOs. He also gives credit to our founder-director, N. Meade Layne, for being the first out with the 4-D origin of the Flying Saucers back in 1946. This is the only working hypothesis about UFOs which has withstood the test of time -- 30 years! -- and saves most of the data. Trevor's latest book substantiates the BSRA thesis and adds substantially to it.

RADIONICS (or PSYCHOTRONICS) THE NEW AGE SCIENCE OF HEALING

BSRF NO. 33 has a History of Radionics, detailed instructions for building an instrument with a modified Drown circuit, two treatment instruments, and a 30-page Atlas of rates representing years and years of clinical research in the numbered measurement of etheric or Psychotronic vibrations. Contains interviews with the late Dr. Leonard Chapman, veteran of 50 years of this borderland research. Illustrated with pictures, drawings and schematics. \$5.50

BSRF NO. 12, PROJECT HERMES and TWO INVENTORS RETURN. \$2.00

Project Hermes is an electronic device for stimulating the telepathic sending and receiving centers in the brain, with instructions for building it, with diagram, and discussion of possible effects on the user. It offers mechanical control of telepathy.

BSRF NO. 2-M, THREE GREAT AQUARIAN AGE HEALERS. In this second talk

on Psychic Surgery Director Crabb examines the outstanding work of Dr. Wm. Lang who died in London in 1937. The good doctor now carries on his practice through medium George Chapman at Aylesbury clinic in England. Here Dr. Lang explains clearly how a spirit doctor gets his training and how he works. This is information which isn't likely to be forthcoming from the Filipino Psychic Surgeons. There is also information on the process by which spirit Guides select and train a physical plain medium for such a healing ministry. This brochure also contains material on Color Therapy. \$3.00

BSRF NO. 9-D, INNER CIRCLE SEANCE TRANSCRIPTS 21 thru 26. Controls

in the order of their appearance: Lo Sun Yat, Yada di Shi'ite, Tu Chang, Lao Tse, Charles Lingford, Professor Luntz, a Temple Dancer, Sister Theresa Vandenberg, Dr. Sukuto Nikkoi, Ramon Natalli. Subjects discussed: Catholicism and Black Magic, Temple Initiation, Sex Cause of Tumors, Guilt Complexes, Psychic Self-Defense In Mediumship, Problems of Inter-planetary Travel, etc. 55 pages. . \$2.25

The JOURNAL of
Borderland Research

Bulk Rate U.S. POSTAGE PAID Vista, Calif. Permit No. 42

A Publication Of:

Borderland Sciences
Research Foundation

PO Box 548, Vista,
California USA
92083